



INSTALLATION GUIDE

TALON[®]SERIES WINCH

**READ AND UNDERSTAND THIS MANUAL BEFORE
INSTALLATION AND OPERATION OF YOUR
SUPERWINCH.**

Superwinch LLC.
349 Lake Road
Killingly, CT 06241, USA
tel: 1.800.323.2031
fax: 1.860.963.0811
info@superwinch.com
www.superwinch.com

Superwinch LTD.
Union Mine Road
Pitts Cleave
Tavistock, Devon
PL19 0NS, UK
tel: +44 (0) 1822 614101
fax: + 44 (0) 1822 615204
sales@superwinch.net
www.superwinch.com



SAFETY PRECAUTIONS

The responsibility for safe installation and operation of this winch ultimately rests with you, the operator. Read and understand all safety precautions and operating instructions before installing and operating the winch. Careless winch operation can result in serious injury and/or property damage. Never obscure or remove the warning or instruction labels.

Throughout this manual, you will find notations with the following headings:

⚠ DANGER Indicates an imminently hazardous situation which, if not avoided, will result in death or serious injury.

⚠ WARNING Indicates a potentially hazardous situation which, if not avoided, could result in death or serious injury.

⚠ CAUTION Indicates a potentially hazardous situation which, if not avoided, may result in minor or moderate injury. This notation is also used to alert against unsafe practices.

Note: Indicates additional information in the installation and operation procedures of your winch.

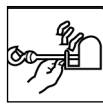
The following symbols on the product and in the Owners manual are used:



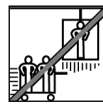
Read Owner's Manual



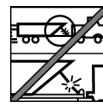
Always Use Handsaver



Keep clear of winch, rope and hook while operating



Never use winch to lift or move people



Never use winch to hold loads in place

Correct installation of your winch is a requirement for proper operation.

Please Note: Winch is designed primarily for intermittent applications. This winch is not designed to be used in industrial or hoisting applications and Superwinch does not warrant it to be suitable for such use. Superwinch manufactures a separate line of winches for industrial/commercial use. Please contact Customer Service Department for further information.

Congratulations on your choice!

AFTER READING AND UNDERSTANDING THIS MANUAL, LEARN TO USE YOUR WINCH. After installing the winch, practice using it so you will be familiar with it when the need arises.



MOUNTING YOUR WINCH

MOUNTING KITS

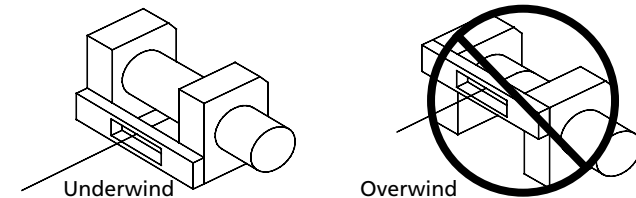
SUPERWINCH RECOMMENDS THE USE OF A MOUNT KIT FOR SECURE MOUNTING TO YOUR VEHICLE. For information on available kits, contact your Superwinch product dealer or go to www.superwinch.com for the most current list of kits.

If you choose not to purchase a mounting kit, your Superwinch needs to be attached to a secure and flat mounting location. Note that your winch may not be able to be operated safely without some equipment included in the kit. If you choose not to purchase a mounting kit, contact Superwinch for recommended accessories and the name of a dealer near you.

Detailed mounting instructions for your specific vehicle are provided with each mounting kit. Read and follow directions carefully.

⚠ CAUTION This winch must be mounted with the rope in the under wound direction (Fig. 1) Improper mounting could damage your winch and void your warranty.

Fig. 1



Note: Your winch is designed to ROPE IN and ROPE OUT in one direction. Do not attempt to reverse the operation of your winch.

⚠ CAUTION Do not mount winch inverted (base upward) or put the winch mounting hardware in direct tension condition. In all installations, the unit must be mounted so the rope feeds through the hawse or roller fairlead on the front of the winch and does not rub across housings.

For winch capacities, a complete parts list, and an exploded diagram of your specific Superwinch, refer to the Technical Data Sheet included in this package.

For instructions on safe winch operation and tips for prolonging the life of your winch, refer to the User's Guide included in this package.

⚠ WARNING *Improper mounting can cause personal injury. Improper mounting could damage your winch and void the warranty.*

MINIMUM ELECTRICAL REQUIREMENTS

A 60 amp. alternator and battery with 440 cold-cranking amperes capacity are the minimum recommended power sources. If the winch is in heavy use, an auxiliary battery is recommended.

Under some circumstances, it may be appropriate to install additional circuit protection devices (circuit breakers). If in doubt, seek appropriate advice.

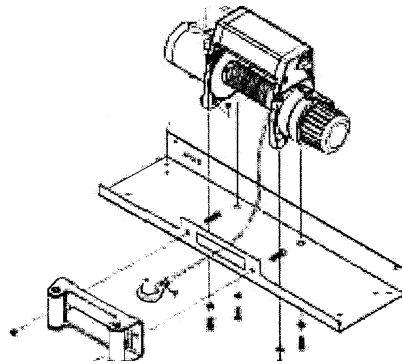
Superwinch recommends that all winch electrical systems can be readily and quickly isolated from their electrical supply in the event of an emergency. The winch electrical system should always be isolated when the winch is not in use.

1. Install mounting kit or structural support for the winch.
2. Mount the winch to a mounting plate or to a mount that you have properly designed. Mounting plate should be a minimum of 1/4" (6.3mm) thick. The ends of the mounting bolts must not contact the opposite side of the casting.

⚠ WARNING *Your winch is a very powerful machine. To protect yourself and property, the winch must be properly mounted to a structural support capable of withstanding the high pulling capacity of the winch.*

⚠ WARNING *Do not substitute any strength grade weaker than SAE Grade 8 (ISO 10.9).*

⚠ CAUTION *When mounting your winch in a foot - forward position, the solenoid pack can be rotated to be on top of the motor or can be remote-mounted. To rotate the solenoid box, remove the two motor screws and solenoid box bracket screws. Rotate the motor and solenoid box upwards and reinstall the screws. If remote mounting, the solenoid pack may be mounted in any configuration EXCEPT inverted (i.e. solenoid studs facing down). Inverted mounting may cause erratic operation. Use properly sized wire or contact Superwinch for remote mount kit options.*



INSTALLATION
Figure 2

⚠ WARNING *If different length bolts, nuts, washers and other hardware are required for your installation, always use hardware that equals or exceeds the strength grade of the supplied hardware. In no circumstance should the end of the mounting bolts touch the inside of the casting mount pockets.*

⚠ WARNING *Automobile batteries contain gasses which are flammable and explosive. Wear eye protection during installation and remove all metal jewelry. Do not lean over battery while making connections.*

3. Disconnect the vehicle negative and positive battery leads. Route the long red and black color coded wires to the battery. To ensure against insulation abrasion and/or cutting, apply several layers of electrical tape where wiring may come in contact with sharp parts on the vehicle. Attach the red color coded wire to the battery positive and reattach the terminal to the battery.

If your vehicle is equipped with side pole terminals, it may be necessary to obtain auxiliary side terminal bolts from your local auto parts dealer to make these connections.

Connect the black color coded wire to the battery negative terminal, then connect the terminal to the battery.

4. Pull and turn the freespool clutch lever to the "disengaged" position. Pull several feet of wire rope off the drum. Return the clutch lever back to the "engaged" position. Plug in remote pendant control. Push button momentarily to check rope drum rotation direction. If drum rotates in the wrong direction, recheck your wiring.

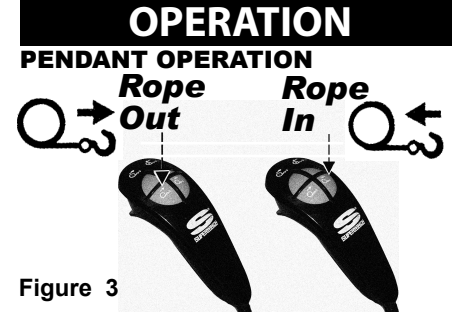


Figure 3

The handheld pendant switch activates a solenoid that activates power to the winch motor.

To connect pendant control, remove the cover on the plug receptacle and insert the plug end of the remote switch.

The plug on the pendant control cord is keyed and will fit into the socket only one way. Lock the plug by rotating the plug collar clockwise. To remove, first unlock the plug by rotating collar in the opposite direction. The switch returns to the "off" position when released. To change direction, press the button for the other direction.

PENDANT BATTERY INSTALLATION

To install the AAA batteries into the handheld pendant, remove the battery door on the back of the pendant and insert the batteries as noted on the graphic inside the battery compartment. Replace the battery door.

⚠ CAUTION *The switch assembly must be kept free of dirt and moisture to ensure safe operation.*

⚠ WARNING *The wire rope may break before the winch stalls. For heavy loads use a pulley block to reduce the load on the wire rope.*

⚠ CAUTION *If the winch motor stalls, do not continue to apply power to the winch.*

⚠ CAUTION *To prevent unauthorized use of the winch, remove the pendant control and store it in a clean dry area such as the glove box.*

PULLING OUT THE WIRE ROPE

The wire rope has been installed on your winch under minimal load at the factory. The wire rope must be respooled onto the drum under load so the outer layers will not draw down into the inner layers thereby damaging the wire rope.

1. Pull and rotate the clutch lever to the "Disengaged" position as shown in Figure 4. If there is a load on the wire rope, the clutch lever may not turn easily. **DO NOT FORCE THE CLUTCH LEVER.** Release tension on the wire rope by jogging out some of the wire rope, then try releasing the clutch.
2. Pull out the wire rope and secure it to anchor or load.
3. Check that there are at least five (5) turns of wire rope or eight (8) turns of synthetic rope left on the drum.
4. Re-engage the drum by rotating the clutch lever to the "Engaged" position (see Figure 4).

CAUTION

Lever must be in position and locked before winching.

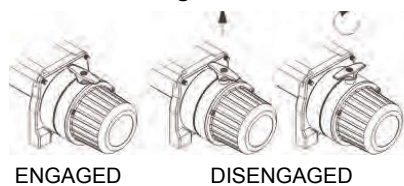


Figure 4

OPERATING TIPS

1. **KEEP A TIGHTLY WOUND WIRE ROPE DRUM.** Do not allow the wire rope to become loosely wound. A loosely wound drum allows a wire rope under load to work its way down into the layers of wire rope on the drum. When this happens, the wire rope may become wedged within the body of the windings damaging the wire rope. To prevent this problem, keep the wire rope tightly

and evenly wound on the drum at all times. A good practice is to rewind the wire rope under tension after each use. One way to do this is to attach the hook to a stationary object at the top of a gradual incline and winch your vehicle up the incline.

2. **DO NOT ALLOW THE WINCH MOTOR TO OVERHEAT.** Remember, the winch is for intermittent use only. During long or heavy pulls, the motor will get hot. The internal parts will be hotter than the case. To check the temperature, stop winching and carefully touch the motor case. **If the motor is uncomfortable to touch, allow the motor to cool before continuing.** **KEEP THE ENGINE RUNNING TO RECHARGE THE BATTERY** during this break.

3. To maximize winch and wire rope life, use a pulley block to double line heavier loads.
4. The pull required to start a load moving is often much greater than the pull required to keep it moving. **AVOID FREQUENT STOPPING AND STARTING** during pull.
5. **INSPECT WIRE ROPE AND EQUIPMENT FREQUENTLY. A FRAYED WIRE ROPE WITH BROKEN STRANDS SHOULD BE REPLACED IMMEDIATELY.**

6. Never allow shock loads to be applied to the winch or rope.
7. When wire rope is removed from the drum, as in bringing the hook to the load, the freewheel feature of the winch should be used.

BRAKE OPERATION

Your winch operates a proportional friction-type brake. After winching in a load, this mechanism holds the load up to the rated capacity of the winch. While powering out a load, the winch controls the rate of speed by applying the brake in proportion to the amount of the load on the winch cable. This results in heavier

loads powering out more slowly than lighter loads.

Similar to the friction-type brakes in your automobile, which can generate heat if used for a long period of time, the winch brake can generate heat if used to power out a load for a long period of time. **To ensure optimum winch performance, always limit powering out a load to 2 minutes and allow the brake to cool for 15 minutes before continuing to winch.**

Under normal use, the brake mechanism should not require any adjustment. Should the brake fail to hold a load or maintain a constant rate of speed during power-out operation, the brake pad may be worn and require replacement.

WARNING

After extended periods of powering out loads against the brake, the gearbox housing may become hot.

MAINTENANCE

Periodically check tightness of mounting bolts and electrical connections. Remove any dirt or corrosion that may have accumulated on the electrical connections.

Repairs should be done by Authorized Superwinch Repair Centers ONLY. Do not attempt to disassemble the gearbox. Disassembly will void warranty.

LUBRICATION

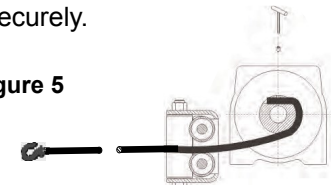
The gearbox and drum bearing are permanently lubricated with a high performance gear lube.

REPLACING THE WIRE ROPE

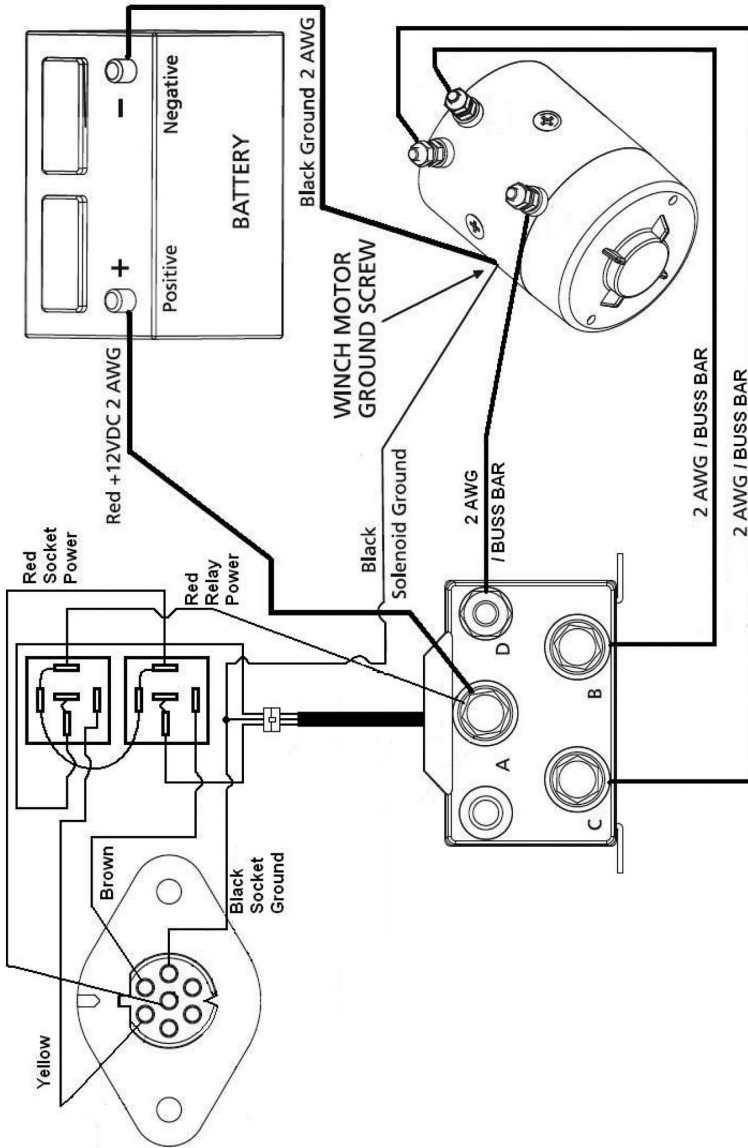
Never substitute a heavier or lighter wire rope. When installing synthetic winch rope, use only Superwinch winch rope, and be sure to follow all instructions and safety precautions supplied with the rope.

Always replace damaged wire rope with manufacturer's identical replacement part (see Replacement Parts List). Pass attaching end of wire rope through the fairlead (if equipped) and attach it to the drum. When inserting the wire rope into the drum, insert it in the correct end of the hole provided (Figure 5). Tighten the set screw securely.

Figure 5



WIRING DIAGRAM



GUIA de INSTSTALATION

GUINCHE SERIE TALON®

LEA Y COMPRENDA ESTE MANUAL ANTES INSTALATION Y la OPERACION DE SU SUPERWINCH

Superwinch LLC.
 Lake Road
 Killingly, CT 06241, USA
 Tel: 1.800.323.2031
 Fax: 1.860.963.0811
 info@superwinch.com
 www.superwinch.com

Superwinch Ltd.
 Union Mine Road
 Pitts Cleave,
 Tavistock, Devon
 PL19 0NS, UK
 Tel: +44 (0) 1822 614101
 Fax: + 44 (0) 1822 615204
 sales@superwinch.net
 www.superwinch.com

MEDIDAS DE SEGURIDAD

La responsabilidad de usar e instalar este guinche con seguridad recae en el operador. Antes de instalar y usar el guinche, lea atentamente todas las medidas de seguridad y las instrucciones de uso. El uso descuidado del guinche podría causar accidentes graves y/o daños materiales. No quitar ni ocultar las etiquetas de seguridad y de instrucciones.

En este manual encontrará notas con los siguientes encabezamientos:

⚠ DANGER Indica una situación de peligro inminente que si no se evita podría causar un accidente grave o incluso la muerte.

⚠ WARNING Indica una situación potencialmente peligrosa que si no se evita podría causar un accidente grave o incluso la muerte.

⚠ CAUTION Indica una situación potencialmente peligrosa que si no se evita podría causar una lesión leve o moderada. Esta nota también se utiliza para advertir sobre el uso de métodos inseguros.

Nota: Indica información adicional para la instalación y el uso del guinche.

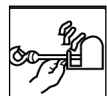
En el producto y en el manual de instrucciones también se utilizan los siguientes símbolos:



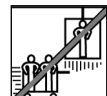
Lea Manual de Propietarios



Siempre utilice a un salvador de mano



Mantenga fuera de cabrestantes, la cuerda y el gancho al operar



Nunca cabrestante de uso para levantar ni mover a perso-



Nunca cabrestante de uso para tener cargas en el lugar

Para que el guinche funcione normalmente debe instalarse correctamente.

Nota: El guinche está diseñado principalmente para uso intermitente. Este guinche no está diseñado para aplicaciones industriales ni para uso como grúa, y Superwinch no lo garantiza para dichos usos. Superwinch fabrica otra línea de guinches para uso industrial y comercial. Obtenga más información llamando al Departamento de Servicios al Cliente.

¡Felicitaciones por su elección!

DESPUÉS DE LEER ESTE MANUAL APRENDA A USAR EL GUINCHE practicando con él después de instalarlo para familiarizarse con el mismo.



MONTAJE DEL GUINCHE

JUEGOS DE MONTAJE

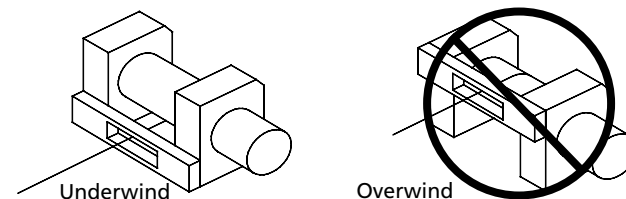
SUPERWINCH RECOMIENDA EL USO DE UN JUEGO DE MONTAJE PARA FIJAR EL GUINCHE A SU VEHÍCULO. Para obtener información sobre juegos de montaje llame al distribuidor de Superwinch o conéctese a www.superwinch.com. Para la lista más actual de juegos.

Si decide no comprar un juego de montaje, instale el Superwinch en una superficie firme y plana. Es posible que el guinche no funcione con seguridad sin ciertos accesorios que se incluyen en el juego de montaje. Si usted decide no comprar el juego completo de montaje, pida información a Superwinch sobre los distribuidores donde pueda comprar los accesorios recomendados.

El juego de montaje tiene las instrucciones detalladas sobre la instalación del guinche en su vehículo. Siga estas instrucciones atentamente.

⚠ CAUTION Montar el guinche con la entrada y salida de cable por debajo del cilindro (Fig. 1). En caso contrario, el guinche podría sufrir averías y la garantía quedaría anulada.

Figura 1



Nota: El guinche está diseñado para que el cable ENTRE y SALGA en una dirección determinada. No trate de invertir la dirección de funcionamiento normal del guinche.

⚠ CAUTION No monte el guinche en posición invertida (con la base hacia arriba) ni someta a los accesorios de montaje a tracción directa. La unidad debe montarse en todos los casos con el cable pasando por la guía ubicada en el frente del guinche y sin que haga contacto con ella.

En la planilla de datos técnicos incluida con el guinche Superwinch podrá consultar su capacidad, la lista de partes y la vista del despiece del mismo.

Consulte las Instrucciones de uso para aprender sobre el funcionamiento y cómo prolongar la vida útil del guinche.

⚠ WARNING *El montaje incorrecto puede causar lesiones personales. El montaje incorrecto puede dañar el guinche y anular los términos de la garantía.*

ALIMENTACIÓN ELÉCTRICA

Se recomienda usar como mínimo un alternador y batería de 440 amperes de capacidad en frío. Si el guinche se usará intensamente es recomendable usar una batería auxiliar.

En ciertos casos podría ser conveniente instalar interruptores de protección adicionales. Ante la duda consulte con un especialista.

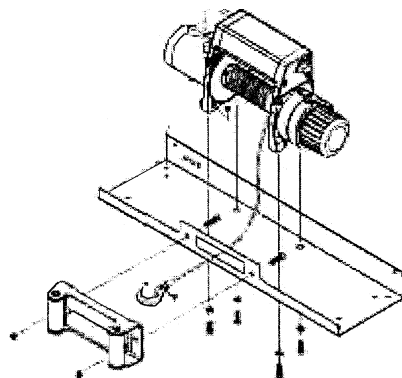
Superwinch recomienda que todos los componentes eléctricos del guinche puedan aislarse rápidamente de la fuente de alimentación eléctrica en el caso de una emergencia. El sistema eléctrico del guinche también debería quedar aislado cuando el guinche no está en uso.

1. Instale el juego de montaje o el soporte estructural del guinche.
2. Coloque el guinche en la placa de montaje el dispositivo de montaje que haya preparado. La placa de montaje debe tener al menos 1/4" (6.3 mm) de espesor. Los extremos de los pernos de montaje no deben entrar en contacto con el lado opuesto de la pieza de fundición.

⚠ WARNING *El guinche es una máquina potente. Por razones de seguridad, el guinche debe estar montado en un soporte con capacidad suficiente para soportar la fuerza nominal de tracción del guinche.*

⚠ WARNING *No utilice ningún material con menos grado SAE 8 (ISO 10.9).*

⚠ CAUTION *Si se monta el guinche con las patas hacia adelante, la solenoide puede rotarse para que quede sobre el motor o también puede montarse a distancia. Para rotar la caja de la solenoide quite los dos pernos del motor y la ménsula de la caja. Haga girar el motor y la caja hacia arriba y vuelva a colocar los pernos. A distancia, la solenoide puede montarse en cualquier posición EXCEPTO invertida (con los pernos hacia abajo). La posición invertida puede causar problemas de funcionamiento. Usar cables de la medida apropiada o comunicarse con Superwinch para obtener un juego de montaje a distancia.*



INSTALACIÓN
Figura 2

⚠ WARNING *Si fuera necesario usar pernos, tuercas, arandelas y otros accesorios de distinta medida, usar siempre materiales que tengan como mínimo la misma resistencia que los accesorios suministrados originalmente. Los pernos de montaje nunca deben quedar en contacto con el interior de las cavidades de fundición de montaje.*

⚠ WARNING *Las baterías de auto motores contienen gases inflamables y explosivos. Use protección ocular y quítese las joyas metálicas. No se incline hacia la batería mientras hace las conexiones.*

3. Desconecte los bornes positivo y negativo de la batería. Instale los cables largos rojo y negro hasta la batería. Para evitar dañar o cortar el aislamiento de los conductores, aplique varias capas de cinta aisladora donde los conductores puedan entrar en contacto con partes filosas del vehículo. Conecte el cable rojo al positivo de la batería y vuelva a conectar el borne positivo a la batería.

Si los bornes fueran laterales podría ser necesario obtener en un comercio de repuestos los pernos auxiliares necesarios para estas conexiones.

Conecte el cable negro al borne negativo de la batería y vuelva a conectar el borne al negativo de la batería.

4. Tire y gire la palanca del embrague hacia la posición de desconectado. Desenrolle varios pies de cable del tambor. Vuelva a llevar la palanca del embrague a la posición de acoplado. Enchufe el control remoto. Pulse un momento el botón para verificar la dirección de rotación del cilindro. Si gira en el sentido incorrecto revise o cambie las conexiones eléctricas.

OPERACIÓN

USO DEL CONTROL REMOTO

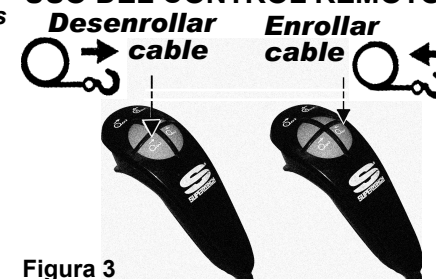


Figura 3

Con el control remoto se activa una solenoide que a su vez energiza el motor del guinche.

Para conectar el control remoto quite la tapa del receptáculo e introduzca el enchufe del control.

El enchufe del control puede entrar orientado de una sola manera en el receptáculo. Trabe el enchufe en posición girando el collar del mismo en sentido horario. Para extraerlo, desenrosque el collar en la dirección opuesta.

COLOCACIÓN DE LAS PILAS DEL CONTROL REMOTO

Quite la tapa del compartimiento de pilas en la parte de atrás del control remoto y coloque las pilas en la posición indicada en el gráfico dentro del compartimiento. Vuelva a colocar la tapa.

⚠ CAUTION *Mantel control remoto limpio y evitar que ingrese humedad para prevenir problemas de funcionamiento.*

⚠ WARNING *El cable podría romperse antes de que el guinche se atasque o detenga. Para cargas pesadas es mejor usar una polea a fin de reducir la fuerza en el cable*

⚠ CAUTION *Si el motor del guinchese atasca, no continuar operando el guinche.*

⚠ CAUTION *Para evitar el uso no autorizado del guinche, desconecte el control remoto y guárdelo en un lugar limpio y seco tal como la guantera.*

AJUSTE DEL CABLE

El cable viene instalado de fábrica con mínima tensión, pero debe volver a enrollarse en el cilindro con mayor ajuste para que las últimas vueltas de cable no dañen las vueltas de capas inferiores cuando se aplique fuerza.

1. Lleve la palanca del embrague a la posición de desacoplado, tal como se muestra en la Figura 4. Si el cable está bajo tensión, probablemente la palanca no gire tan fácilmente. **NO FUERCE LA PALANCA DEL EMBRAGUE.** Trate de aflojar la tensión desenrollando unas vueltas de cable y luego trate de desacoplar el embrague.
2. Desenrolle el cable y fíjelo a un punto de anclaje o a la carga.
3. En el cilindro deben quedar siempre al menos cinco (5) vueltas de cable de acero u ocho (8) vueltas de cable sintético.
4. Lleve la palanca del embrague a la posición de acoplado (véase la Figura 4).

CAUTION

La palanca debe estar trabada en posición antes de operar el guinche.

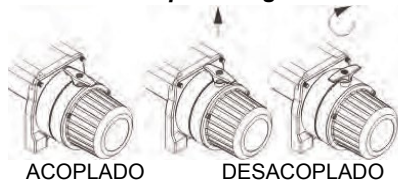


Figura 4

SUGERENCIAS DE USO

1. EL CABLE DEBE QUEDAR TIRANTE EN EL CILINDRO. No deje que el cable se enrolle flojo en el cilindro. Cuando el cable se enrolla flojo, tiende a insertarse entre las otras vueltas de cable en el cilindro. Cuando esto ocurre, el rozamiento puede dañar el cable. Para evitar este problema es importante enrollar el cable tirante en el cilindro. Es conveniente enrollar el cable bajo tensión

después de usarlo. Una manera de hacer esto es montar un gancho a un punto fijo en una pendiente en subida moderada y mover el vehículo con el guinche hasta enrollar toda la longitud del cable.

2. EL MOTOR DEL GUINCHE NUNCA DEBE SOBRECALENTARSE. Recuerde que el guinche es para uso intermitente. Durante el uso prolongado o intenso el motor se calentará. Las partes internas estarán más calientes que la carcasa. Para comprobar la temperatura, detenga el guinche y toque cuidadosamente la carcasa del motor. **Si estuviera demasiado caliente al tacto, espere a que el motor se enfríe antes de continuar.** DURANTE ESTE PERÍODO DE ESPERA DEJE EL MOTOR EN MARCHA PARA RECARGAR LA BATERÍA.
3. Para prolongar la vida útil del guinche y del cable use una polea para tirar de cargas pesadas.
4. La fuerza necesaria para comenzar a mover una carga es generalmente mucho mayor que la fuerza necesaria para mantenerla en movimiento. EVITA LAS PARADAS FRECUENTES cuando está tirando de una carga.
5. INSPECCIONE FRECUENTEMENTE EL CABLE Y EL EQUIPO. **SI EL CABLE ESTU VIERA DESGASTADO O TUVIERA HILOS ROTOS, CÁMBIELO INMEDIATAMENTE.**
6. Nunca aplique cargas repentinas al guinche ni al cable.
7. Al desenrollar el cable del cilindro para llevar el gancho hasta la carga, use el mecanismo de polea loca del guinche.

FUNCIONAMIENTO DEL FRENO

El guinche tiene un freno de fricción proporcional. Después de tirar una carga, el freno la sostiene con una fuerza que puede llegar hasta la capacidad nominal del guinche. En el caso de una descarga de-

peso, el guinche controla la velocidad aplicando el freno proporcionalmente a la tensión que ejerce la carga en el cable. Esto hace que las cargas

más pesadas se muevan con más lentitud que las cargas más livianas. Cuando el freno proporcional se utiliza por períodos prolongados, puede calentarse al igual que lo hace el freno de fricción de un automóvil. **Para obtener óptimo rendimiento del freno, no lo use para descargar por más de 2 minutos y luego deje que se enfríe durante 15 minutos antes de continuar usando el guinche.**

En condiciones normales de uso, el freno no necesita calibración. Si el freno no sostuviera una carga o no pudiera mantener velocidad constante en una descarga, las pastillas del mecanismo podrían estar desgastadas y deben cambiarse.

WARNING

Al retener un peso en una descarga usando el freno por un período prolongado, el reductor de engranajes podría calentarse. Inspeccione periódicamente el ajuste de los pernos y de las conexiones eléctricas. Limpie bien las conexiones eléctricas.

MANTENIMIENTO

Inspeccione periódicamente el ajuste de los pernos y de las conexiones eléctricas. Limpie bien las conexiones eléctricas.

Las reparaciones de la unidad deben efectuarse EXCLUSIVAMENTE en Centros Autorizados de Servicio de Superwinch. No trate de desarmar el reductor de engranajes. Esto anulará los términos de la garantía.

LUBRICACIÓN

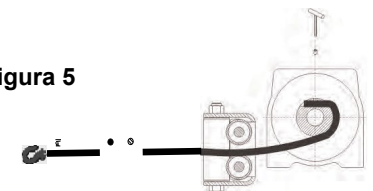
El reductor de engranajes y los cojinetes del cilindro están permanentemente lubricados con un lubricante de avanzada formulación.

CAMBIO DEL CABLE

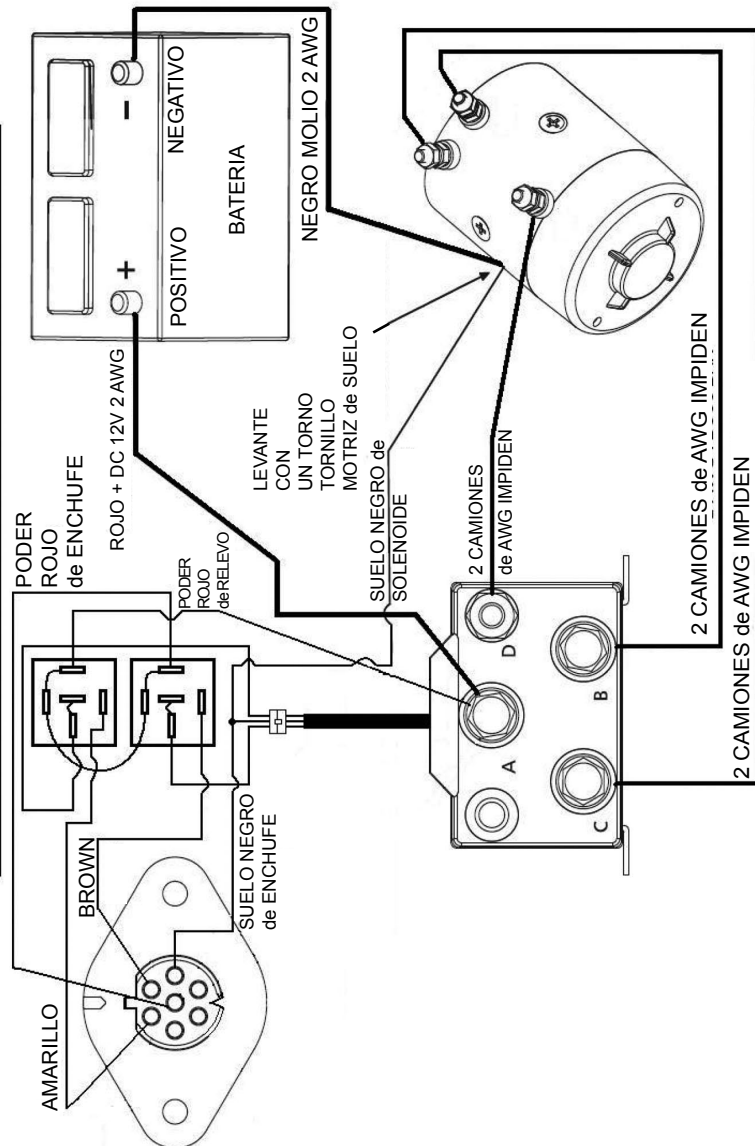
No usar un cable que sea más pesado ni más liviano que el original. Si se utiliza cable sintético, use exclusivamente el cable para guinche de Superwinch y siga todas las instrucciones de instalación y seguridad suministradas con el cable.

Reemplace el cable con uno de idénticas características al original. (véase la lista de partes de repuesto.). Pase el extremo de fijación del cable por la guía y fíjelo al tambor. Asegúrese de introducir el cable en el orificio apropiado del cilindro (Figura 5). Ajuste firmemente el tornillo de fijación.

Figura 5



CABLEADO DIAGRAMA



GUIDE D'INSTALLATION

**SÉRIE TALON®
TREUIL**

**LISEZ ET COMPRENEZ CE MANUEL AVANT
D'INSTALLER ET DE FAIRE FONCTIONNER
VOTRE SUPERWINCH.**

Superwinch LLC.
Lake Road
Killingly, CT 06241, USA
tél : 1800323.2031
fax : 1860963.0811
info@superwinch.com
www.superwinch.com

Superwinch LTD.
Union Mine Road
Pitts Cleave, Tavistock,
Devon, PL19 0NS, UK
tél : +44 (0) 1822 614101
fax : + 44 (0) 1822 615204
sales@superwinch.com
www.superwinch.com

MESURES DE SÉCURITÉ

La responsabilité d'une installation et d'un fonctionnement en toute sécurité de ce treuil vous incombe, à vous l'opérateur. Veuillez lire et comprendre toutes les précautions de sécurité ainsi que les instructions de fonctionnement avant d'installer et d'utiliser le treuil. L'exploitation du treuil sans précaution peut être à l'origine de blessures sérieuses et/ou de dégâts matériels. Les étiquettes d'instruction et d'avertissement doivent être présentes et lisibles.

Tout au long de ce manuel, vous trouverez des annotations avec les en-têtes suivantes :

⚠ DANGER Indique un danger imminent qui, s'il est ignoré, peut provoquer des blessures graves, voire mortelles.

⚠ AVERTISSEMENT Indique une situation potentiellement dangereuse qui, si elle est ignorée, peut provoquer des blessures graves, voire mortelles.

⚠ PRÉCAUTIONS Indique l'existence d'un danger potentiel qui, s'il n'est pas évité peut provoquer des blessures légères à modérés. Ces avertissements sont aussi utilisés pour vous alerter contre des pratiques dangereuses.

Remarque: Indique des informations complémentaires sur l'installation et sur les procédures de fonctionnement de votre treuil.

Les symboles suivants sur le produit et dans le manuel du propriétaire sont utilisés :



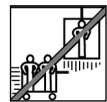
Lisez le manuel du propriétaire



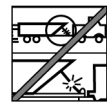
Utilisez toujours un système de protection



Tenez-vous à l'écart du treuil, du câble et du crochet pendant le fonctionnement



N'utilisez jamais le treuil pour soulever ou déplacer une personne



N'utilisez jamais le treuil pour maintenir des charges en place

L'installation correcte de votre treuil est impérative pour un bon fonctionnement.

Veillez noter : Le treuil est principalement conçu pour des applications intermittentes. Ce treuil n'est pas conçu pour être utilisé dans des applications industrielles ou de lavage et Superwinch ne le garantit pas comme étant adapté à une telle utilisation. Superwinch fabrique une série séparée de treuils pour une utilisation industrielle/commerciale. Veuillez contacter le service d'accueil à la clientèle pour de plus amples informations.

Nous vous félicitons de votre choix !

APRÈS AVOIR LU ET COMPRIS CE MANUEL, APPRENEZ À UTILISER VOTRE TREUIL. Après avoir installé le treuil, exercez-vous sur celui-ci afin de vous familiariser à son utilisation lorsque le besoin se présentera.



MONTAGE DE VOTRE TREUIL

KITS DE MONTAGE

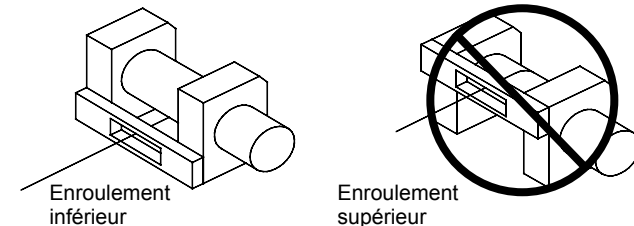
SUPERWINCH RECOMMANDE L'UTILISATION D'UN KIT DE MONTAGE POUR UNE INSTALLATION EN TOUTE SÉCURITÉ SUR VOTRE VÉHICULE. Pour des informations sur les kits disponibles, veuillez contacter votre revendeur Superwinch ou vous rendre sur www.superwinch.com afin d'obtenir la liste des kits les plus courants.

Si vous choisissez de ne pas acquérir de kit de montage, votre Superwinch devra être fixé sur un emplacement de montage plat et sûr. Veuillez noter que votre treuil peut ne pas être capable de fonctionner en toute sécurité sans certains équipements compris dans le kit. Si vous choisissez de ne pas acquérir de kit de montage, veuillez contacter Superwinch pour des accessoires recommandés et le nom d'un revendeur proche de chez vous.

Des instructions de montage détaillées pour votre véhicule spécifique sont fournies avec chacun des kits de montage. Veuillez lire et appliquer attentivement les instructions.

⚠ PRÉCAUTIONS Ce treuil doit être monté avec le câble dans la direction d'enroulement inférieur (Fig. 1). Un montage incorrect pourrait endommager votre treuil et annuler votre garantie.

Fig. 1



Remarque : Votre treuil est conçu pour un ENROULEMENT et un DÉROULEMENT dans une seule direction. N'essayez pas d'inverser le fonctionnement de votre treuil.

⚠ PRÉCAUTIONS N'inversez pas le montage du treuil (la base vers le haut) ni ne positionnez l'équipement de montage du treuil dans une condition de tension directe. Dans toutes les installations, l'unité doit être montée pour que le câble soit acheminé par l'ouverture ou sur le guide-câble du rouleau à l'avant du treuil et ne vienne pas en contact avec les cages de protection.

Pour les capacités du treuil, une liste complète des pièces détachées et une vue éclatée de votre Superwinch spécifique, reportez-vous à la fiche technique incluse dans l'emballage.

Pour des instructions et des conseils sur un fonctionnement en toute sécurité afin de prolonger l'utilisation de votre treuil, veuillez vous reporter au Guide de l'utilisateur compris dans cet emballage.

AVERTISSEMENT *Un montage incorrect peut être à l'origine d'un accident. Un montage incorrect peut endommager le treuil et annuler la garantie.*

IMPÉRATIFS ÉLECTRIQUES MINIMUM

Un alternateur de 60 A et une batterie d'une capacité de démarrage à froid de 440 A correspondent aux sources d'énergie minimum recommandées. Si le treuil doit être fortement utilisé, une batterie auxiliaire est recommandée.

En aucune circonstance il ne peut être approprié d'installer des appareils de protection complémentaire du circuit (disjoncteurs) Dans le doute, recherchez un avis autorisé.

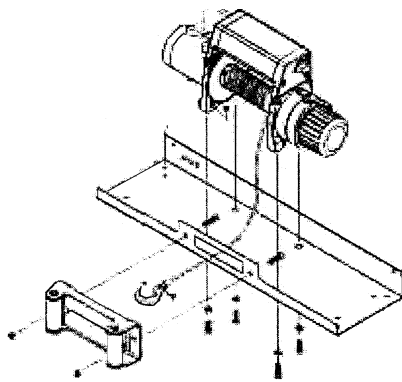
Superwinch recommande que tous les circuits électriques du treuil puissent être facilement et rapidement isolés de leur alimentation en cas d'urgence. Le circuit électrique du treuil doit toujours être isolé lorsqu'il n'est pas en utilisation.

1. Installation du kit de montage ou le support structurel du treuil.
2. Montage du treuil sur une plaque de montage ou sur une monture que vous aurez correctement conçue. La plaque de montage doit être d'une épaisseur minimum de 1/4 po (6,3 mm). En aucun cas l'extrémité des boulons de montage ne viendra en contact avec le côté opposé de la pièce coulée.

AVERTISSEMENT *Votre treuil est une machine très puissante. Pour votre protection ainsi que celle des biens, le treuil doit être correctement monté sur un support structurel en mesure de supporter sa capacité élevée de traction.*

AVERTISSEMENT *Ne substituez aucun matériel par un article de résistance SAE inférieure à 8 (ISO 10,9).*

PRÉCAUTIONS *Lors du montage de votre treuil sur une position avant, l'ensemble du solénoïde doit subir une rotation afin de se trouver en partie supérieure du moteur ou peut être monté à distance. Pour effectuer la rotation du boîtier du solénoïde, démontez les deux vis du moteur ainsi que le support du boîtier du solénoïde. Effectuez la rotation du moteur et du boîtier du solénoïde vers le haut et réinstallez les vis. En cas de montage à distance, l'ensemble du solénoïde peut être monté dans n'importe quelle configuration HORMIS inversée. (c'est-à-dire que les plots du solénoïde regardent vers le bas). Le montage inversé peut provoquer un fonctionnement erratique. Utilisez un câblage de dimensions appropriées ou contactez Superwinch pour les options de kit de montage à distance.*



INSTALLATION
Figure 2

AVERTISSEMENT *Si des longueurs différentes de boulons, d'écrous, de rondelles et d'autres quincailleries sont nécessaires à votre installation, veuillez utiliser du matériel au moins équivalent sinon supérieur quant à la résistance par rapport à celui fourni. En aucune circonstance l'extrémité des boulons de montage ne viendra en contact avec les surfaces intérieures des pièces de montage moulées.*

AVERTISSEMENT *Les batteries automobiles contiennent des gaz qui sont inflammables et explosifs. Portez des lunettes de protection pendant l'installation et retirez tous vos bijoux métalliques. Ne vous penchez pas au-dessus de la batterie pendant que vous réalisez des connexions.*

3. Déconnectez les câbles négatifs ainsi que les câbles positifs de la batterie. Acheminez les câbles codés rouges et noirs vers la batterie. Pour éviter l'abrasion et/ou des coupures de l'isolant, appliquez plusieurs couches de ruban adhésif électrique sur les emplacements où le câblage peut entrer en contact avec des parties métalliques tranchantes sur le véhicule. Attachez le câble rouge sur le positif de la batterie et réinstallez la borne sur la batterie.

Si votre véhicule est équipé de bornes latérales, il peut s'avérer nécessaire d'obtenir des boulons de bornes latérales auxiliaires auprès de votre revendeur local de pièces auto afin de réaliser ces connexions.

Connectez le câble noir sur la borne négative de la batterie et réinstallez la borne sur la batterie.

4. Tirez et faites tourner le levier d'embrayage à crabots sur la position « Libre » de débrayage. Tirez plusieurs pieds du câble en dehors du tambour. Ramenez le levier d'embrayage sur la position « Embrayée ». Branchez le boîtier de contrôle manuel. Appuyez momentanément sur le bouton afin de vérifier le sens de rotation du tambour. Si le tambour tourne dans la mauvaise direction, vérifiez à nouveau votre câblage.

FONCTIONNEMENT

FONCTIONNEMENT DU BOÎTIER DE CONTRÔLE

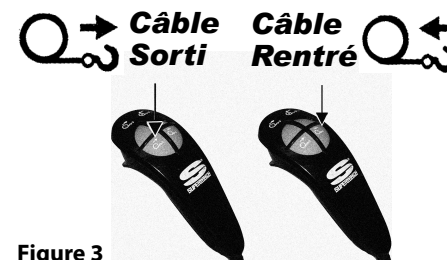


Figure 3

Le contacteur du boîtier de contact active un solénoïde qui applique l'alimentation électrique sur le moteur du treuil.

Pour connecter le boîtier de contrôle, démontez le couvercle des prises et insérez l'extrémité de la fiche du contacteur à distance. La fiche du cordon du boîtier de contrôle est détrompée et ne s'adaptera à la prise que d'une seule manière. Verrouillez la prise en faisant tourner le collier de la prise dans le sens horaire. Pour le démontage, déverrouillez d'abord la prise en faisant tourner le collier dans le sens anti-horaire.

INSTALLATION DE LA BATTERIE DU BOÎTIER DE CONTRÔLE

Pour installer les piles AAA dans le boîtier de contrôle, démontez la porte du compartiment des piles à l'arrière du boîtier et insérez les piles conformément aux instructions graphiques à l'intérieur du compartiment. Remettez la porte du compartiment des piles en place.

PRÉCAUTIONS *Le contacteur doit être indemne de saletés ou d'humidité afin d'assurer un fonctionnement sans danger.*

AVERTISSEMENT *Le câble peut se rompre avant que le treuil ne cale. Avec des charges lourdes, utilisez un palan afin de réduire la charge sur le câble.*

PRÉCAUTIONS *Si le moteur du treuil cale, cessez d'alimenter son moteur.*

PRÉCAUTIONS *Pour éviter une utilisation non autorisée du treuil, démontez le boîtier de contrôle et rangez-le dans un lieu propre et sec comme la boîte à gants.*

COMMENT SORTIR LE CÂBLE

Le câble a été installé sur votre treuil avec une charge minimum en usine. Le câble doit être rembobiné sur le tambour sous charge pour que les enroulements extérieurs ne s'emmêlent pas avec les enroulements inférieurs ce qui pourrait endommager le câble.

1. Tirez et faites tourner le levier d'embrayage sur la position «Débrayée» comme sur la Figure 4. Si le câble est sous charge, le levier d'embrayage peut ne pas tourner facilement. **NE FORÇEZ PAS SUR LE LEVIER D'EMBRAYAGE.** Libérez la tension sur le câble en le secouant et en libérant ensuite l'embrayage.
2. Sortez une certaine quantité de câble et fixez-le sur un ancrage ou sur une charge.
3. Vérifiez qu'il reste encore cinq (5) tours au moins de câble métallique ou sinon au moins huit (8) tours de câble synthétique autour du tambour.
4. Réembrayez le tambour en faisant tourner le levier d'embrayage sur la position «Embrayée» (Reportez-vous à la figure 4).

⚠ PRÉCAUTIONS

Le levier doit être en position et verrouillé

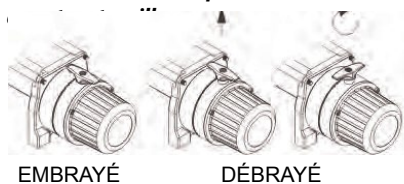


Figure 4

CONSEILS DE FONCTIONNEMENT

1. LE CÂBLE DOIT ÊTRE ENROULÉ SERRÉ AUTOUR DU TAMBOUR. Ne laissez pas le câble s'enrouler sans tension. Un tambour avec un câble enroulé sans tension permet à ce dernier lorsqu'il est en charge de s'emmêler avec les couches inférieures du tambour. Lorsque ceci se produit, le câble peut se coincer parmi les enroulements en provoquant son endommagement. Pour éviter ce problème, le câble doit rester tendu et régulièrement enroulé sur le tambour à tout moment. Il est de bonne pratique d'enrouler le câble sous tension,

après chaque utilisation. Pour ce faire, vous devez fixer le crochet à un objet fixe sur un plan régulièrement incliné et treuiller votre véhicule sur cette pente.

2. **NE LAISSEZ PAS LE MOTEUR DU TREUIL SURCHAUFFER.** Rappelez-vous que le treuil est exclusivement destiné à une utilisation intermittente. Pendant des treuillages de longue durée avec de lourdes charges, le moteur deviendra chaud. Les pièces internes seront plus chaudes que le boîtier. Pour vérifier la température, arrêtez le treuillage et touchez avec précaution le boîtier du moteur.

Si le moteur est trop chaud au toucher, laissez le moteur refroidir avant de continuer.

LAISSEZ LE MOTEUR FONCTIONNER POUR RECHARGER LA BATTERIE pendant cette pause.

3. Afin de maximiser la durée de vie du treuil et du câble, utilisez un palan pour doubler le câble avec des charges pesantes.
4. La traction nécessaire pour commencer à déplacer une charge est souvent beaucoup plus importante que celle nécessaire pour la conserver en mouvement. **ÉVITEZ DES ARRÊTS FRÉQUENTS ET DES REDÉMARRAGES AU COURS DES TRACTIONS.**
5. **INSPECTEZ LE CÂBLE ET L'ÉQUIPEMENT FRÉQUEMMENT. UN CÂBLE DÉTORONNÉ AVEC DES TORONS BRISÉS DOIT ÊTRE IMMÉDIATEMENT REMPLACÉ.**
6. Ne laissez jamais une surcharge d'impact être appliquée au treuil ou au câble.

Lorsque le câble est démonté du tambour, comme pour amener le crochet jusqu'à la charge, la fonction de roue libre du treuil doit être utilisée.

FONCTIONNEMENT DU FREIN

Votre treuil fonctionne avec un frein à friction proportionnelle. Après avoir treuillé une charge, ce mécanisme la maintient conformément à la capacité nominale du treuil. Lors de la mise en charge, le treuil contrôle la vitesse en appliquant le frein proportionnellement à la charge sur le câble du treuil. Ceci a pour résultat de treuiller des charges élevées plus lentement que des charges légères.

De la même manière que les freins à friction sur votre automobile, qui peuvent générer de la chaleur s'ils sont utilisés longuement, le frein du treuil peut produire de la chaleur s'il est utilisé pour déplacer une charge sur une longue durée. **Afin d'assurer les performances optimum de votre treuil, vous devez toujours limiter le treuillage à 2 minutes et laisser le frein se refroidir pendant 15 minutes avant de poursuivre le treuillage.**

Dans des conditions normales d'utilisation, le mécanisme du frein ne nécessite aucun réglage. Si le frein en venait à ne pas pouvoir maintenir une charge ou une vitesse constante pendant le treuillage, la plaquette de freinage peut être usée et doit être remplacée.

⚠ AVERTISSEMENT *Après de longues durées de treuillage avec utilisation du frein, le boîtier d'engrenage peut devenir chaud.*

MAINTENANCE

Vous devez vérifier périodiquement le serrage des boulons de montage ainsi que les connexions électriques. Éliminez les saletés ou la corrosion pouvant s'être accumulée sur les connexions électriques.

Les réparations doivent être réalisées par un centre de réparation autorisé de Superwinch EXCLUSIVEMENT. N'essayez pas de démonter le boîtier d'engrenage. Son démontage annulera la garantie

LUBRIFICATION

Le boîtier d'engrenage et le roulement du tambour sont lubrifiés en permanence avec une graisse à hautes performances.

REPLACEMENT DU CÂBLE

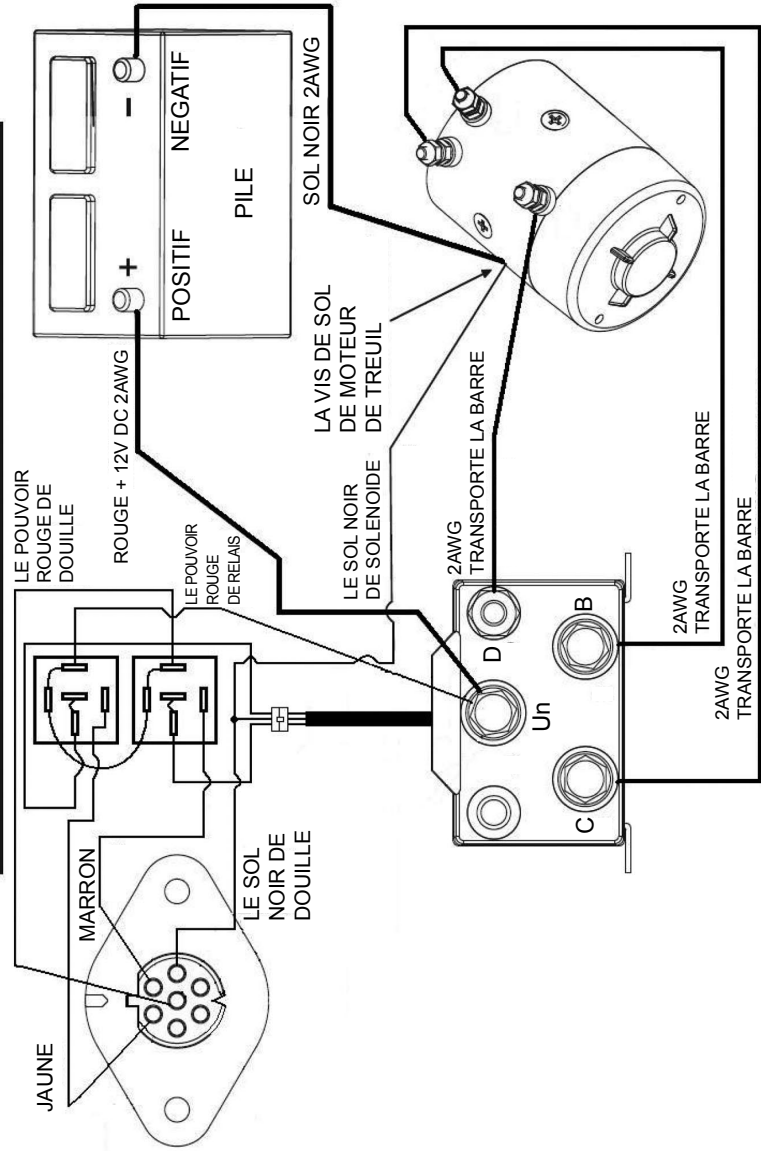
Ne substituez jamais un câble par un autre plus lourd ou plus léger. Lors de l'installation d'un câble synthétique, utilisez exclusivement un câble Superwinch, et assurez-vous de suivre toutes les instructions et les précautions de sécurité accompagnant le câble.

Vous devez toujours remplacer un câble endommagé par un câble de remplacement identique du fabricant (Reportez-vous à la liste des pièces de rechange). Passez l'extrémité de fixation du câble à travers le guide-câble (si équipé) et fixez-le au tambour. Après avoir inséré le câble dans le tambour, insérez-le dans l'extrémité correcte de l'orifice fourni (Figure 5). Serrez fortement le contre-écrou.

Figure 5



TELEGRAPHIER DIAGRAM



**(NOTES
NOTAS)**

**(NOTES
NOTAS)**